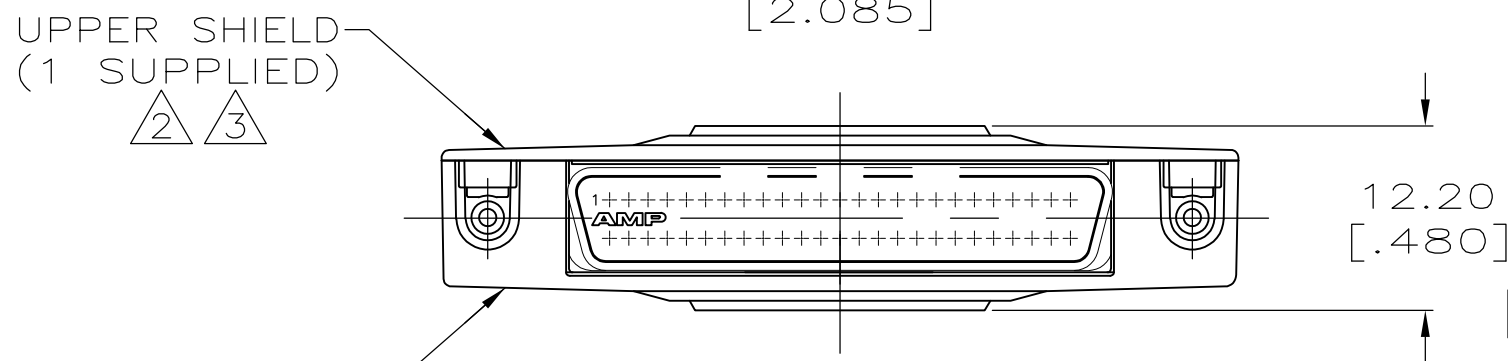
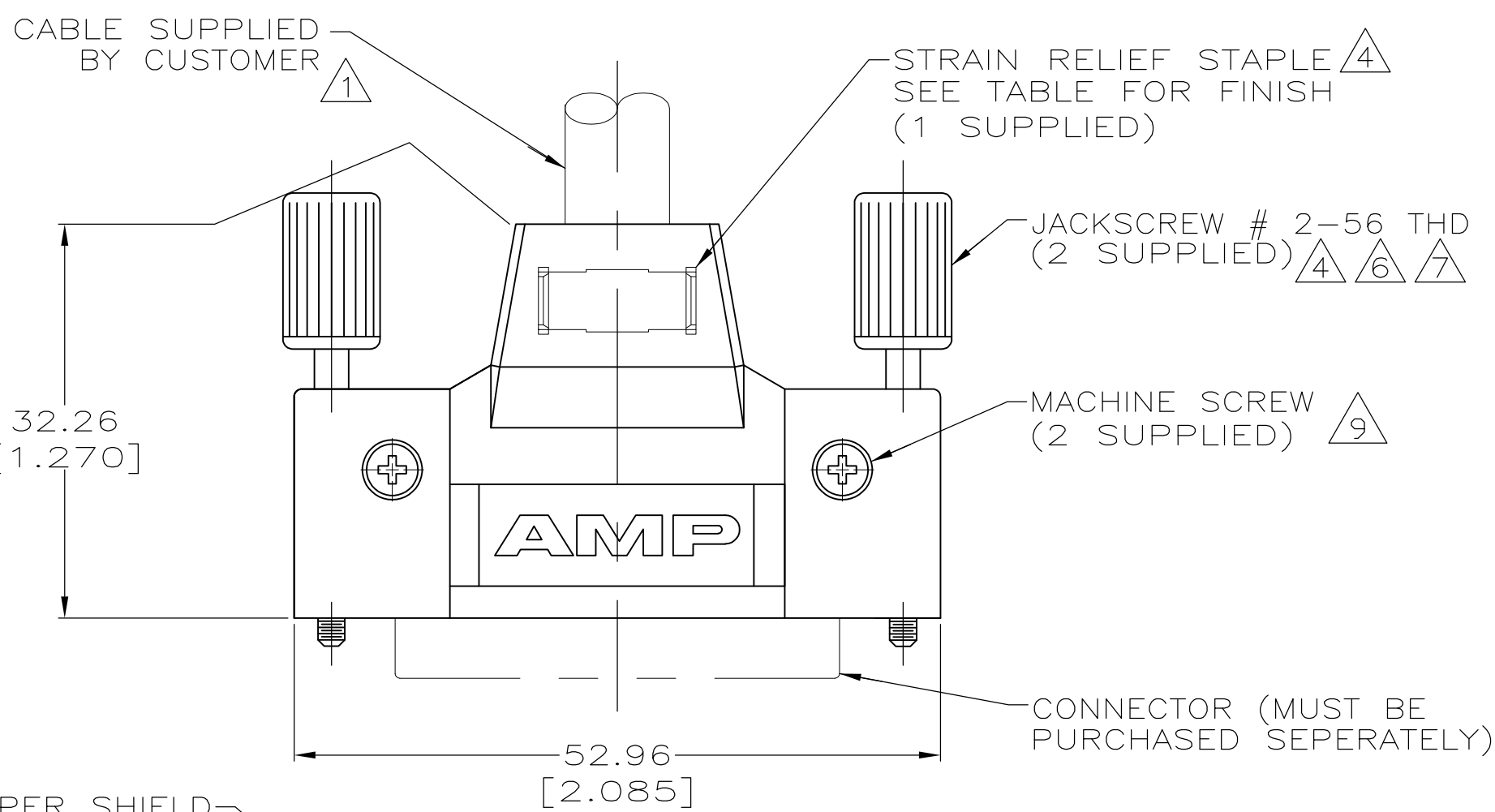


THIS DRAWING IS UNPUBLISHED. RELEASED FOR PUBLICATION
 © COPYRIGHT - By - ALL RIGHTS RESERVED.

LOC	DIST	REVISIONS					
GP	00	P	LTR	DESCRIPTION	DATE	DWN	APVD
			F	REVISED PER ECO-11-012218	14JUL2011	CJV	SLB



- 1 10.16 [.400] MAX CABLE DIA.
- 2 ZINC PER ASTM AG40A, UNS Z33521.
- 3 NICKEL PLATED.
- 4 STEEL PER ASTM A109.
- 5 BRIGHT TIN-LEAD PLATED.
- 6 POLYPROPYLENE OR NYLON, UL94V-0, BLACK.
- 7 BLACK ZINC PLATED.
- 8 BRIGHT TIN PLATED.
- 9 STAINLESS STEEL.

SUPERSEDED BY 5749080-1	KIT	8	749080-3
OBSOLETE	BULK	5	749080-2
	KIT	5	749080-1
	PACKAGING	STAPLE	PART NO

THIS DRAWING IS A CONTROLLED DOCUMENT.		DWN	JACK ROOT	11-23-88	STE TE Connectivity		
		CHK	M.WATERS	12-1-88			
DIMENSIONS: [mm] INCHES		APVD			NAME		
TOLERANCES UNLESS OTHERWISE SPECIFIED:		PRODUCT SPEC			BACKSHELLS WITH MALE JACKSCREWS, 50 POSITION AMPLIMITE .050 Series		
0 PLC ± -		APPLICATION SPEC			RESTRICTED TO		
1 PLC ± -		WEIGHT			SIZE		
2 PLC ± 0.38 [.015]		CUSTOMER DRAWING			CAGE CODE		
3 PLC ± -		SCALE			DRAWING NO		
4 PLC ± -		2:1			A3 00779 C-749080		
ANGLES ± -		SHEET			1 OF 1		
FINISH		REV			F		